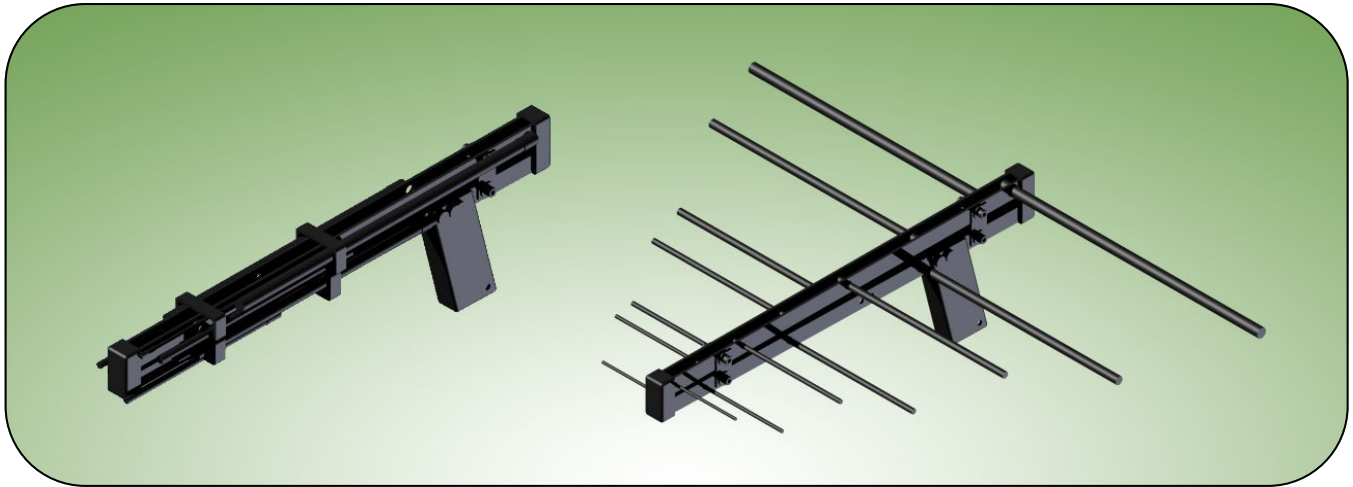


Broadband Directional Antenna



The FXLP25X4 is a broadband log periodic tracking antenna that covers the entire band of 200-600 MHz. This antenna folds and is stowed in a heavy duty canvas holster that attaches to the user's belt or web gear.



Broadband Directional Antenna

Specifications

ELECTRICAL:

Frequency Range:	200-600 MHz
Gain:	6.25 dBi Nominal
VSWR:	3.0:1 Maximum
Input Impedance:	50 Ω Nominal
Power:	20 Watts
Polarization:	Horizontal or Vertical
Front-to-Back Ratio:	12 dB
Radiation Pattern:	60° Half Power Point
Input Connector:	TNC Female

MECHANICAL:

Boom Length:	21 in. (0.53 m)
Element Span:	28.38 in. (0.72 m)
Number Of Elements:	7 Elements
Net Weight:	2 lb. (0.91 kg)
Color:	Black/Green/Tan/Grey

****All information on this product and the product itself is the property of and is proprietary to Hascall-Denke.**

****Specifications are subject to change without prior notice.**



Made in the USA
ISO 9001:2008 Certified
(1Y03800)

P.O. Box 909, Palmetto, Florida 34220-0909
Tel: 941-723-2833 • Fax: 941-723-1628
www.hascall-denke.com